



samsara

# Vehicle Gateway

**INSTALL GUIDE — HEAVY DUTY (J1939)**

What you'll need:



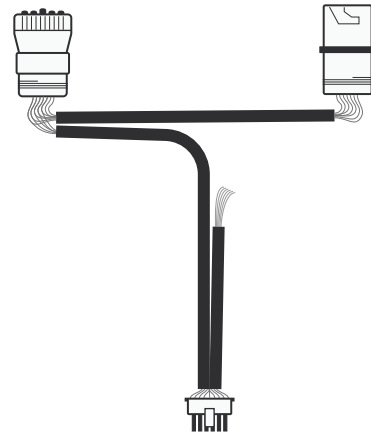
1x



2x



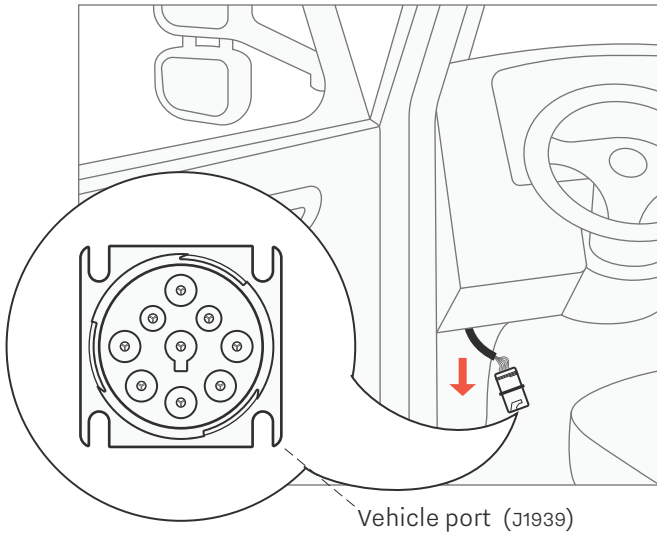
2x



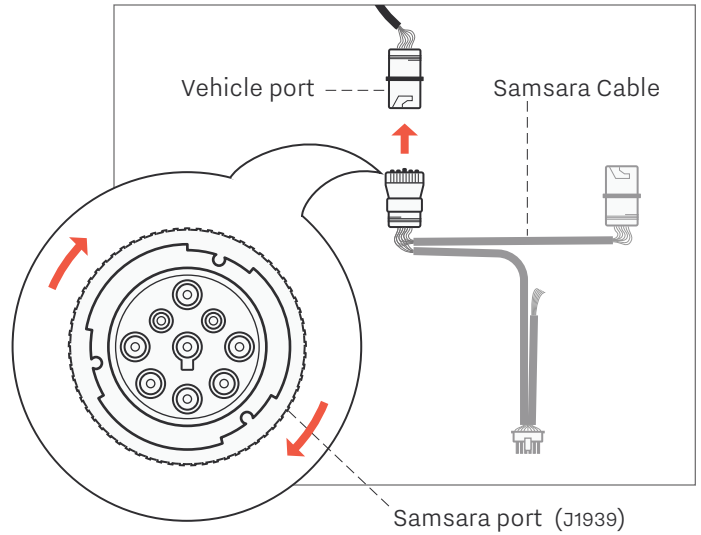
1x

Questions? [samsara.com/support](https://samsara.com/support)

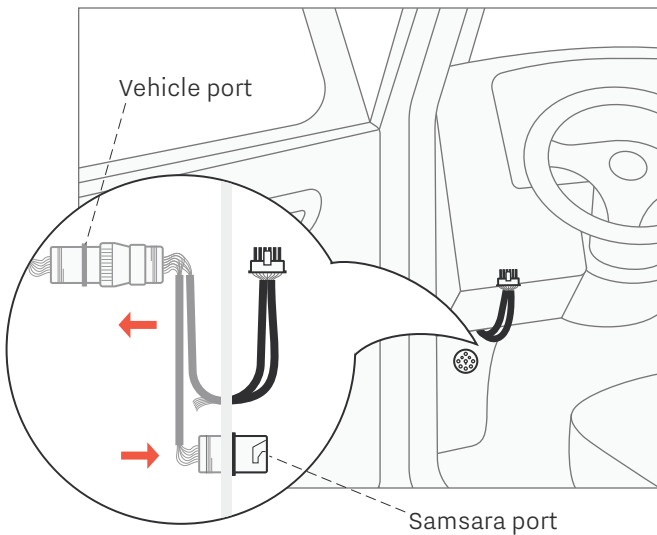
**1** Locate vehicle's diagnostic port and detach it from its original location.



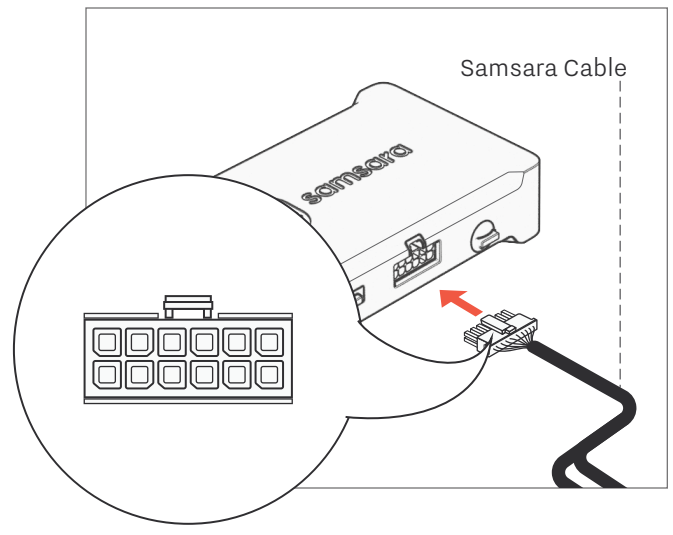
**2** Connect the Samsara Cable. Vehicle's diagnostics remain accessible via the unconnected port.



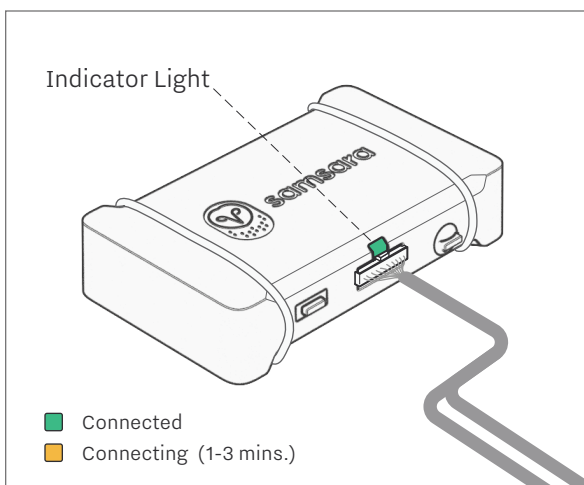
**3** Fasten unconnected diagnostics port to vehicle's original port location.



**4** Plug the Samsara Cable gateway connector into the Gateway. It will click when fully inserted.



**5** Verify the Gateway indicator light turns green. This could take 1-3 minutes.



**6** Fasten connected Gateway in a secure position behind the dashboard using zip ties.

